

轉速計



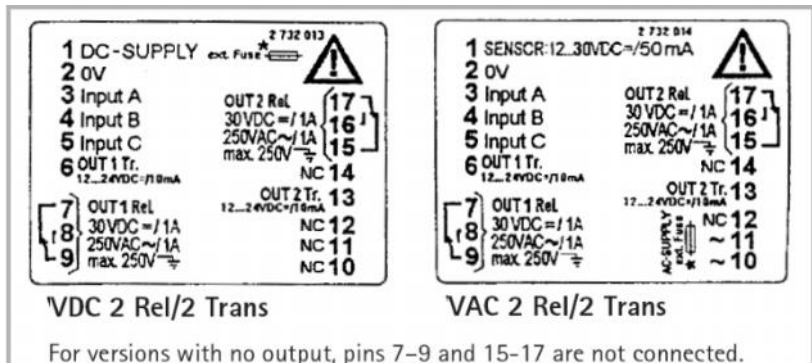
TECHNICAL DATA

Tachometer E732 TAC

- high-contrast LED Display 6 digits
- small and compact DIN dimensions 48 x 48 mm · 60 x 60 mm · 72 x 72 mm
- easy operation by one key per digit
- direct access to parameters
- available with 1 or 2 presets
- transistor and relay with changeover contact, for each preset
- 5 basic functions easily programmable
- display range from to 999999

Display	LED or LCD, 6 digits, leading zero suppression, decimal point
Digit height	LED 7.6 mm; LCD 9 mm
Supply voltage	12...24 VDC; 24 VAC; 115 VAC; 230 VAC; 50/60 Hz, depending on version
Current consumption	12...24 VDC < 150 mA 100/115/230 VAC < 50 mA: including sensor supply
Sensor supply	only when AC operated: 12 ... 30 VDC, max 50 mA
Data retention	non-volatile memory > 10 years
Operating temperature	0 ... +50 °C
Storage temperature	- 20 ... + 70 °C
Electrical connection	screw terminals
Mounting	with clamping frame
Protection class (IEC 144)	front side IP 65, terminals IP 20
Vibrostability	10 m/s ² (10...150 Hz) according to IEC 68-T2-6
Shock stability	100 m/s ² (18 ms) according to IEC 68-T2-27
General design	according to VDE 0411, DIN 57411, protection class II
Approvals	UL + CUL E 96337
Amplitude thresholds	< 2 V and > 8 V, max 40 VDC
Active edge	programmable; positive with pnp input; negative with npn input
Pulse shape	any (squarewave 1:1 for max. frequency)
Input resistance	approx. 5 kOhm (static)
Counting frequency	max. 5 kHz
Prescaler	programmable from 0.001 to 9.999 (999.999)
Pulse length min.	17 ms (30 Hz), 100 µs (5 kHz)
Relay	changeover contact max. 250 VAC / 30 VDC, min. 5 V AC/DC max. 1 A, min. 10 mA, delay < 5 ms
Transistor	pnp output 12...24 VDC max 10 mA of DC-supply; 12...30VDC max. 10 mA of AC-supply
Display range	1/min or 1/sec
Resolution	programmable 1; 0.1; 0.01; 0.001

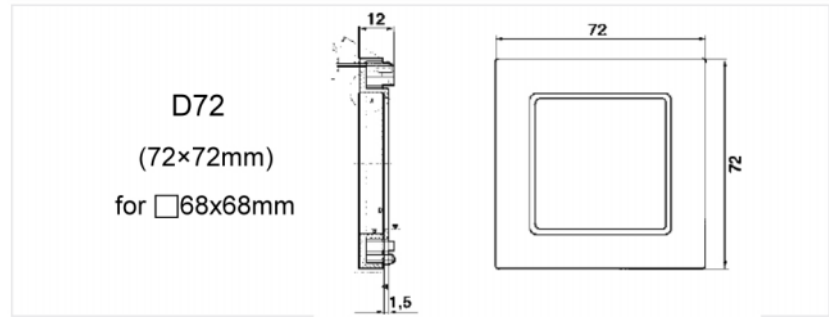
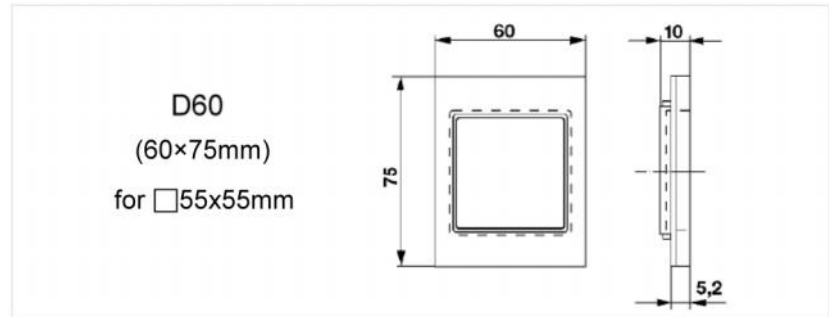
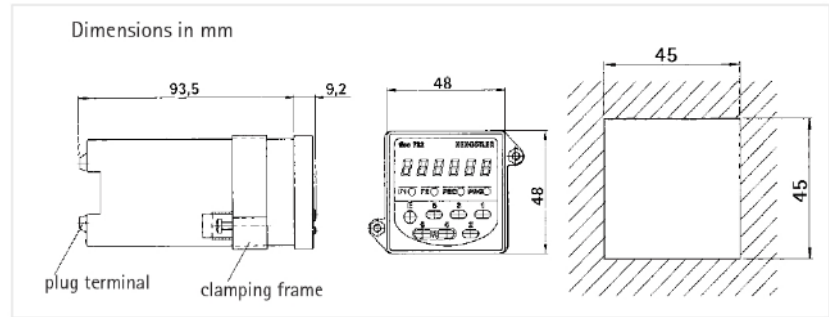
DCONNECTION DIAGRAM



Technical data

E732 TAC

DIMENSIONS



ORDER INFORMATION

