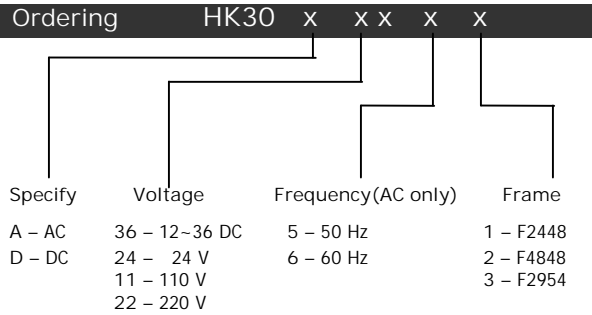


Hour meter

HK30系列



Mechanical data

Front dimension: 36 x 24 mm (standard)

Display AC: 5 integers, 2 decimals
DC: 6 integers, 1 decimal without reset

Digit height 4 mm

Digit color integer: white on black
decimal: 50 Hz - red on black
60 Hz - black on white

Counting range AC: 99999,99 h, DC: 999999,9 h

Reading accuracy AC: 1/100 h (36 sec)
DC: 1/10 h (6 min)

Weight ca. 32 g

Housing color standard black
transparent on request

Bezels for 36x24 mm 48x24, 48x48, 54x29 mm

Mounting standard front 36x24mm with retainer

Electrical data

Operating voltage 24, 48, 60, 110, 120, 220, 230, 240, 400 VAC ± 10%, 50 or 60 Hz

6-12, 12-36, 36-80, 110, 220
VDC ± 10%

Current consumption AC: max. 8 mA
DC: max. 9 mA

Accuracy AC: ±0,02 %
DC: ± 0,002 %

Connection flat pin 6,3x0,8 with screw
flat pin 6,3x0,8

Ambient conditions

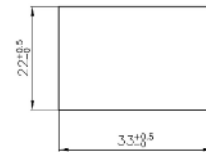
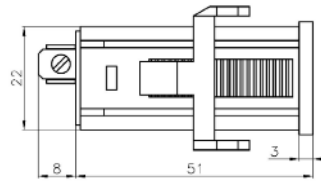
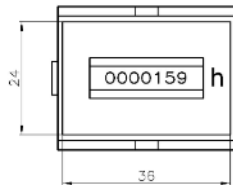
Operating temperature AC: -25° C .. +70° C
DC: -10° C .. +55° C

Storage temperature AC: -40° C .. +70° C
DC: -20° C .. +70° C

Relative humidity max. 80% at +25° C

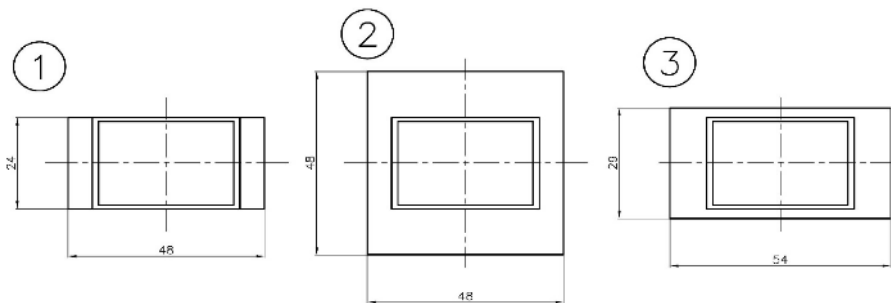
Protection IP40 front
IP00 terminals

Approvals CE Mark
UL E171200
RoHS compliant



HK 30

Panel cut-out



Bezel No.	Bezel size	Panel cut-out	Ordering code
1	48 x 24 mm	45 x 22 mm	F 2448
2	48 x 48 mm	45 x 45 mm	F 4848
3	54 x 29 mm	50 x 25 mm	F 2954